

JANUARY 1, 2007

BULLETIN

PMCT-07C

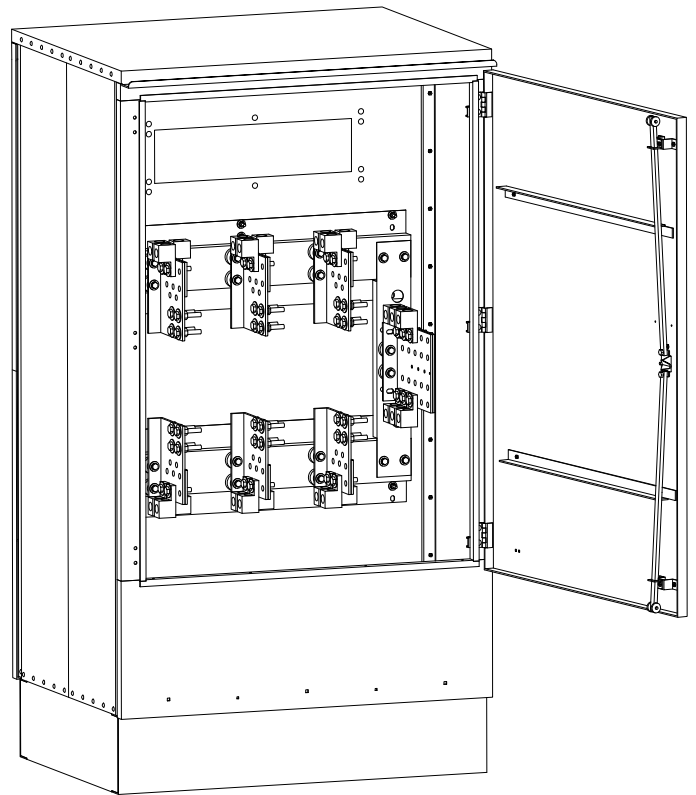
www.ericksonelectric.com

1200 - 2000 AMP.

PAD MOUNTED
METERING
TRANSFORMER
CABINETS



FILE NO. E62784



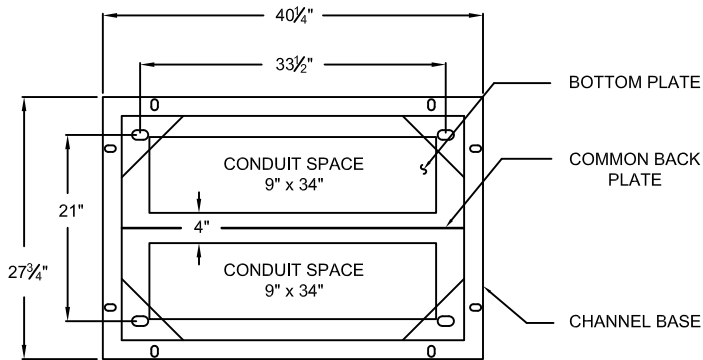
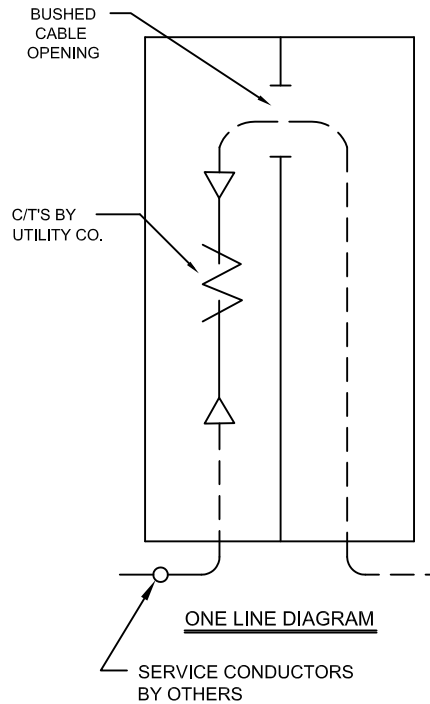
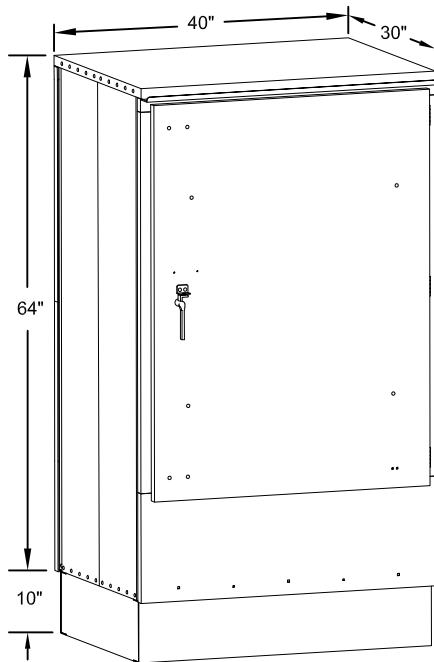
600 VOLT MAXIMUM

TYPE 3R ENCLOSURE
FOR OUTDOOR USE

ERICKSON ELECTRICAL EQUIPMENT CO.
475 BONNIE LANE • ELK GROVE VILLAGE, IL 60007
TELEPHONE: (847) 640-7701 / 1-800-952-7225
FAX: (847) 640-0565

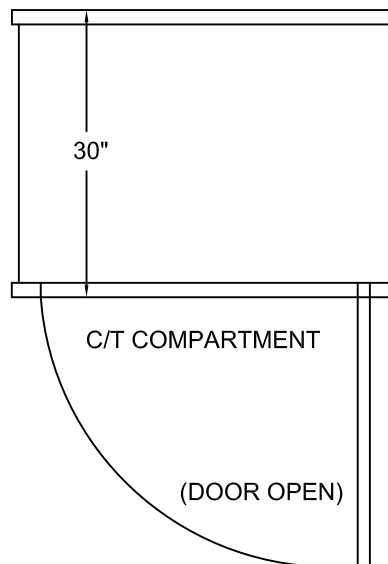
600 VOLT MAX. CATALOG NUMBERS

AMPACITY	3Ø 4W	LUGS PER PHASE 300-800 MCM		UNPROTECTED FAULT CURRENT RATING	ENCLOSURE SIZE			SHIPPING WEIGHTS
		LINE	LOAD		WIDTH	HEIGHT	DEPTH	
1200	PMCT124	3	3	85,000 Amp	40"	64"	30"	475 LBS.
1600	PMCT164	4	4	85,000 Amp	40"	64"	30"	490 LBS.
2000	PMCT204	5	5	85,000 Amp	40"	64"	30"	500 LBS.

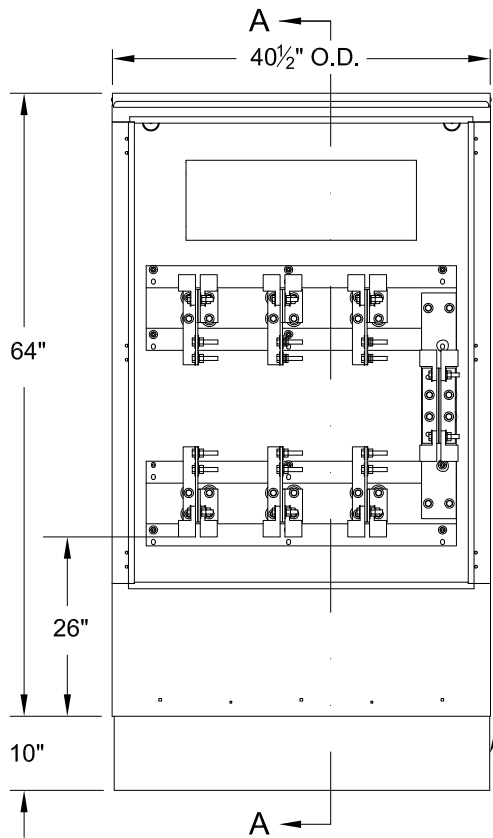


BOTTOM VIEW
(SHOWING AVAILABLE
CONDUIT SPACE)

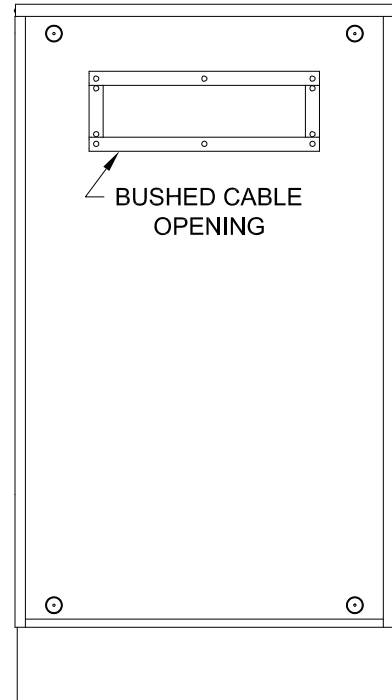
REMOVABLE COVERS OVER
CONDUCTOR COMPARTMENT



ERICKSON ELECTRICAL EQUIPMENT CO.
 475 BONNIE LANE • ELK GROVE VILLAGE, IL 60007
 TELEPHONE: (847) 640-7701 / 1-800-952-7225
 FAX: (847) 640-0565



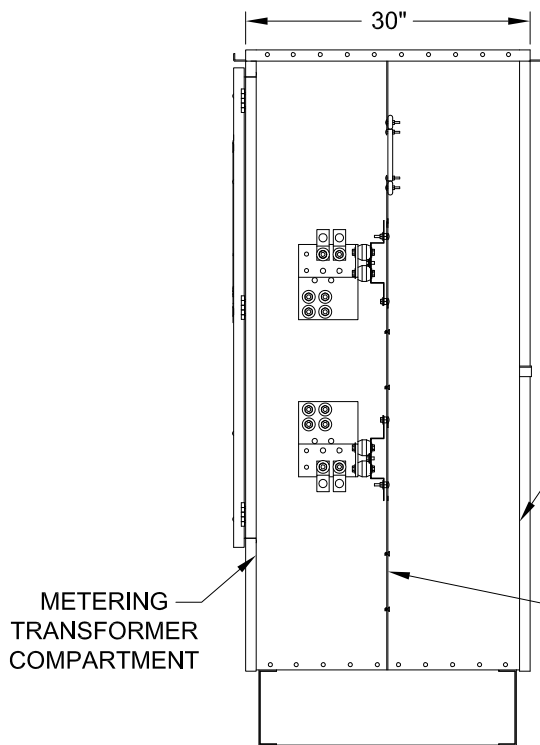
METERING TRANSFORMER COMPARTMENT (DOORS REMOVED)



CONDUCTOR COMPARTMENT (COVER REMOVED)

FORMED STAINLESS STEEL CHANNEL BASE

BUSHED CABLE OPENING



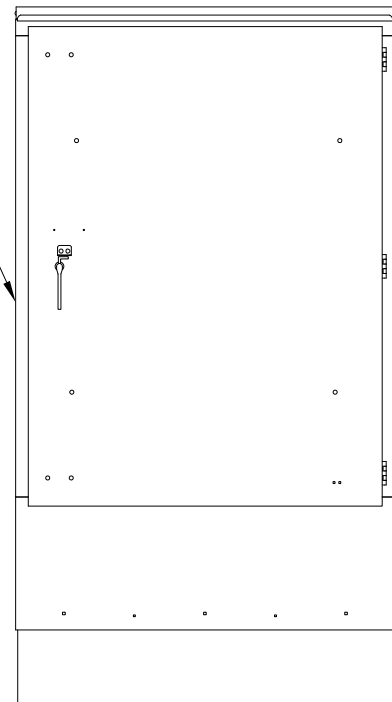
SECTION A - A

ALUMINUM ENCLOSURE TYPE 3R

CONDUCTOR COMPARTMENT

COMMON BACKPLATE

METERING TRANSFORMER COMPARTMENT



FRONT ENCLOSED VIEW

ERICKSON ELECTRICAL EQUIPMENT CO.
 475 BONNIE LANE • ELK GROVE VILLAGE, IL 60007
 TELEPHONE: (847) 640-7701 / 1-800-952-7225
 FAX: (847) 640-0565